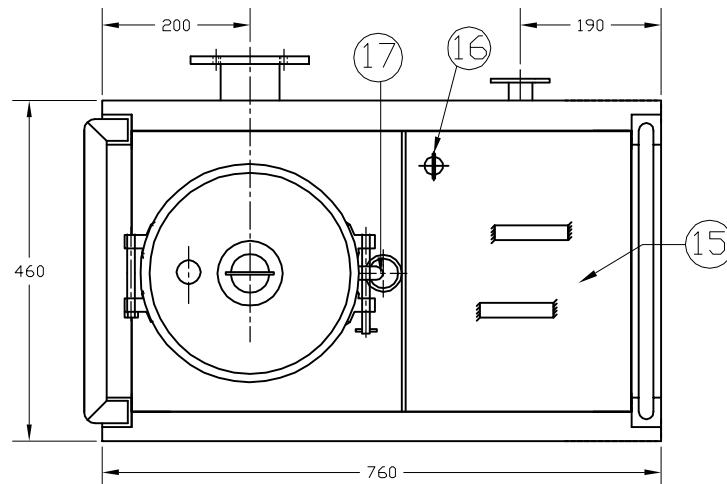
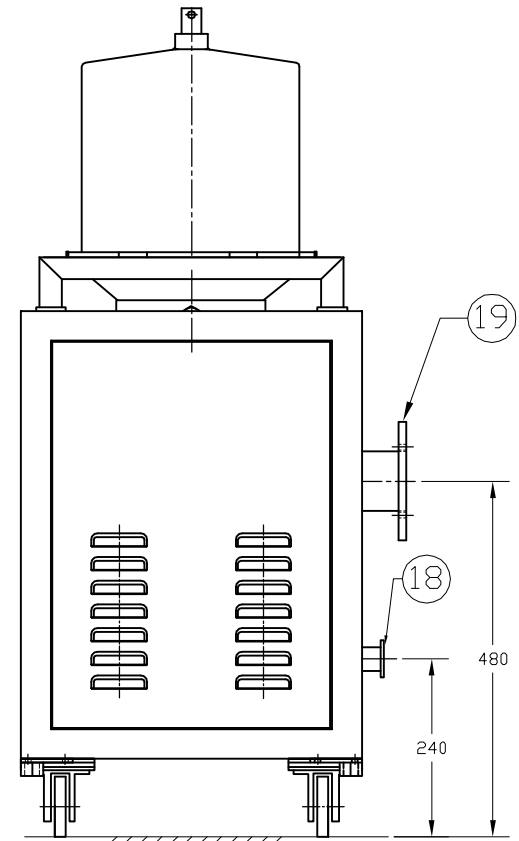
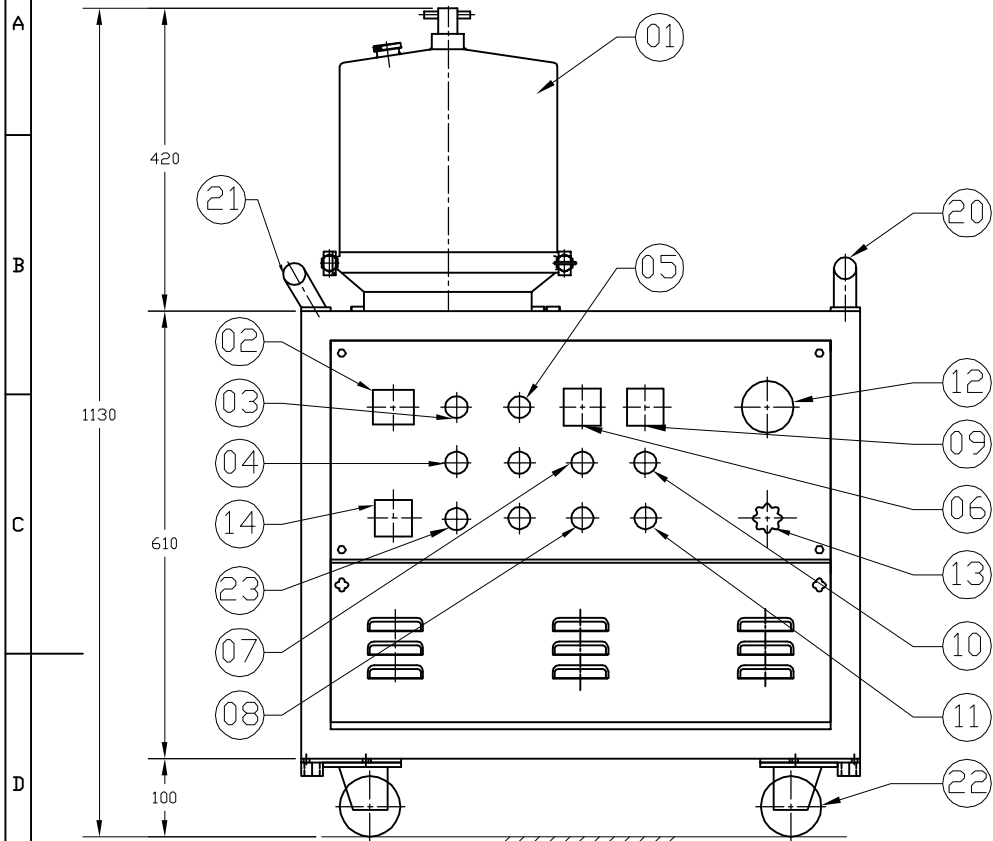


DO NOT SCALE THE DRAWING

4000.00.00.00



23	MCB On Indicator	01
22	Castor Wheels	04
21	Trolley Handle, Angular	01
20	Trolley Handle, Straight	01
19	Drain Flange	01
18	Suction Flange	01
17	Centrifuge Inlet Hose	01
16	Drain Plug	01
15	Rotor Holding Fixture	01
14	Auto Off Switch	01
13	Pressure Regulating Valve	01
12	Pressure Gauge	01
11	High Pr. Trip Indicator	01
10	Overload Trip Indicator	01
9	Hour Meter	01
8	Timer Resetting Button	01
7	Service Indicator Flasher	01
6	Timer	01
5	R,Y,B Lamps	01 set
4	OFF Button	01
3	ON Button	01
2	MCB	01
1	Centrifuge, SCC 600	01
SR. NO.	ITEM	QTY.

No sharp edges.
All dims are in mm, unless specified.

BILL OF MATERIALS.

Alteration Area		Permissible Deviations	Surface Finish	Scale 1-11	Weight 125 Kgs.
				Material - As per Tabulation.	
				Raw Material	
				Die No.	
				Description	
				CENTRIFUGAL OIL CLEANING SYSTEM	
				AWS-4000	
				AUTOWIN SYSTEMS Pvt Ltd	
				PUNE 52	
				Sheet 1 OF 1	
Position	Alteration	Date	Name	Belongs to-	
				Substitutes	
				Nos Off - 01/set	

DRAWING NO.

4000.00.00.00

AUTOWIN SYSTEMS Pvt Ltd
PUNE 52

Sheet
1 OF 1